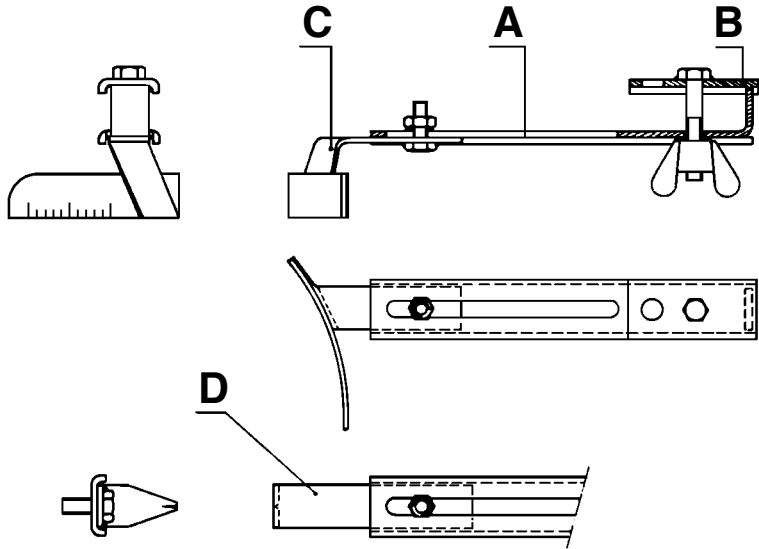
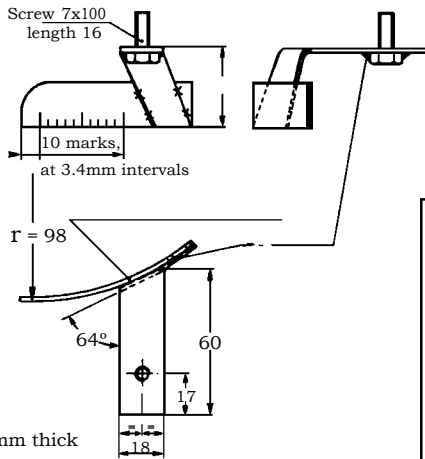


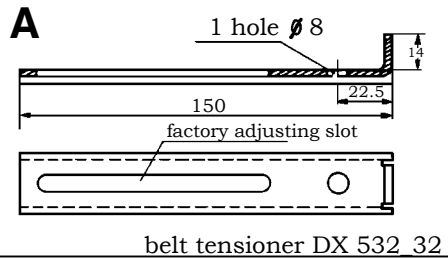
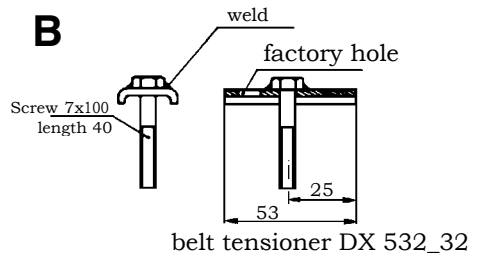
Application using timing light without phase shifter: ABC
 Application using timing light with phase shifter: ABD



C Each division corresponds to 2° on the distributor



B



D

